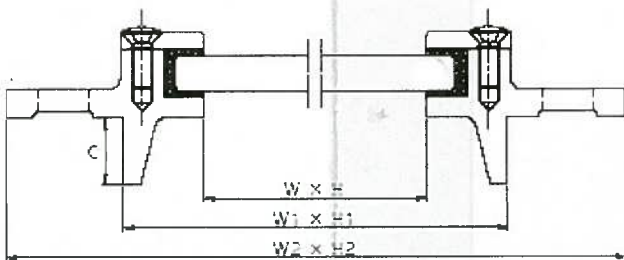


# RECTANGULAR WINDOW

# 1

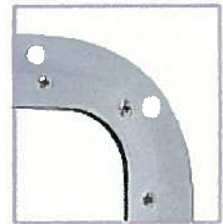
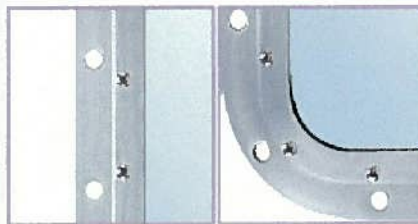
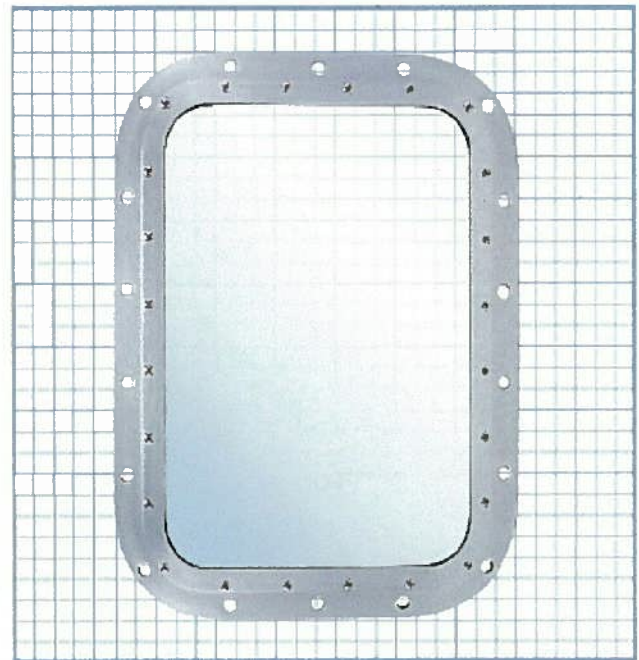
## Non-Opening Bolted Rectangular Window



UNIT: mm

**DIMENSION TABLE**

Nominal Size	$W1 \times H1$	$W2 \times H2$	C
$W \times H$	$(W+48) \times (H+48)$	$(W+118) \times (H+118)$	19,25



**Standard**  
**Material**  
**Method of fitting**  
**Type**  
**Glass**  
**Accessories**

ISO, BSMA & JIS  
 Alum-alloy, Brass  
 Bolted  
 Non-opening  
 Toughened, Heated, Double glazed, Laminated, etc.  
 Window box, Insect screen, Sun screen, Roller blind, Stay hook, etc

