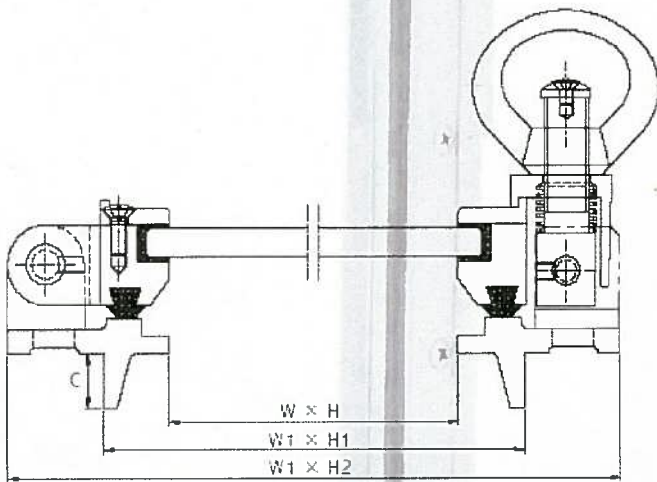


RECTANGULAR WINDOW

1

Opening Bolted Rectangular Window



DIMENSION TABLE

Nominal Size	W1 x H1	W2 x H2	C
W x H	(W+48) x (H+48)	(W+118) x (H+118)	19,25

UNIT:mm



Standard Material Method of fitting Type Glass Accessories

ISO, BSMA & JIS
 Alum-alloy, Brass
 Bolted
 Opening
 Toughened, Heated, Double glazed, Laminated, etc.
 Window box, Insect screen, Sun screen, Roller blind, Stay hook, etc.

