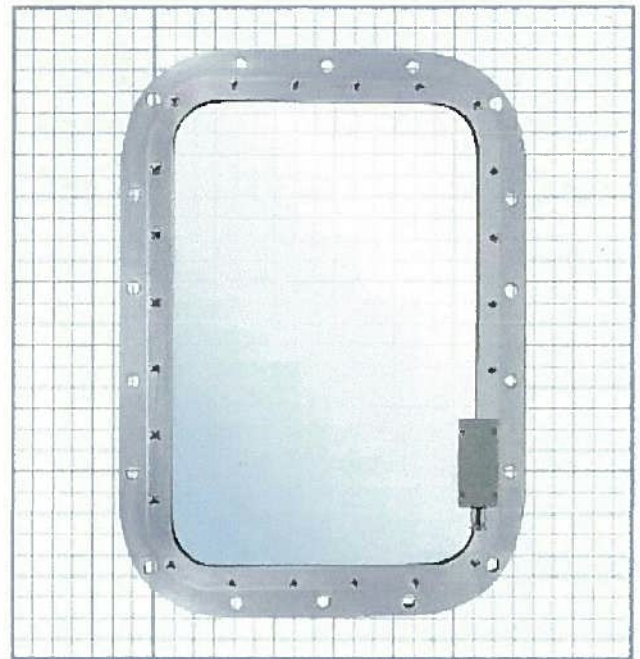
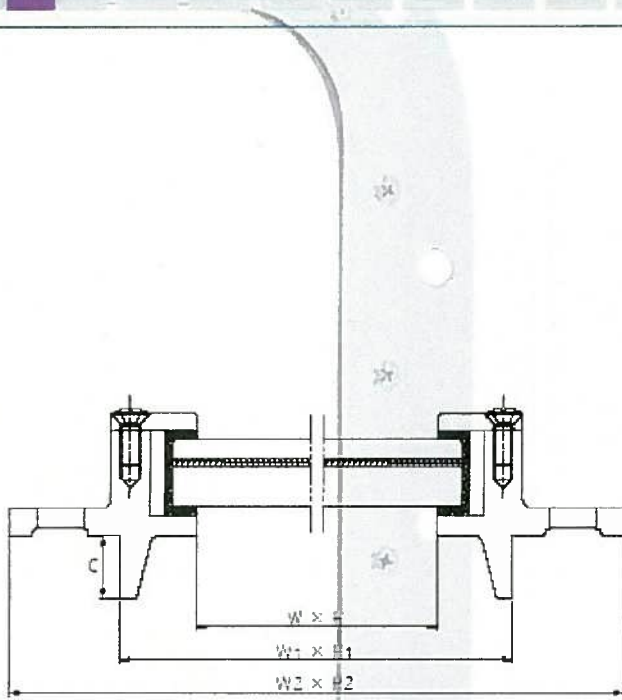


HEATED WINDOW

1

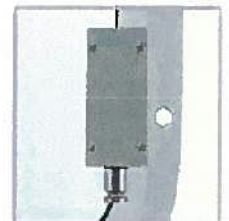
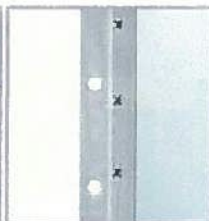
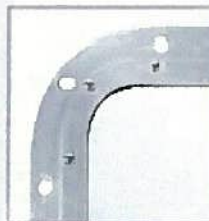
Heated Window With Bolted Frame



DIMENSION TABLE

Nominal Size	W1 x H1	W2 x H2	C
W x H	(W+48) x (H+48)	(W+118) x (H+118)	19,25

UNIT: mm



Standard
Material
Method of fitting
Type
Glass
Accessories

ISO, BSMA & JIS
 Alum-alloy, Brass
 Bolted
 Non-opening
 Toughened, Double glazed, Laminated, etc.
 Sun screen, Roller blind, etc.

