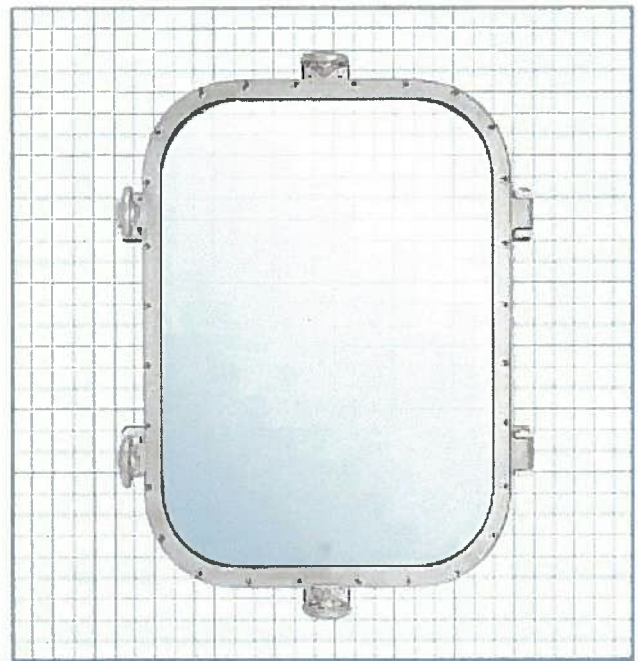
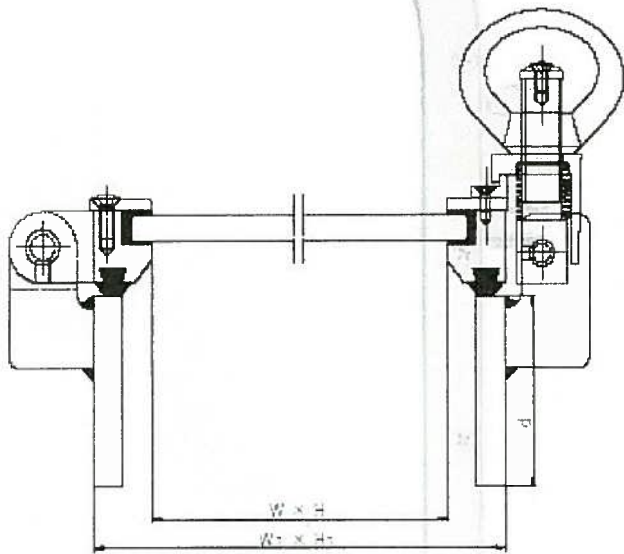


RECTANGULAR WINDOW

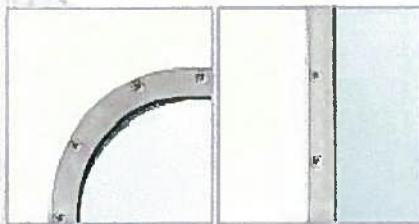
1

Opening Welded Rectangular Window



UNIT:mm

DIMENSION TABLE		
Nominal Size	W1 x H1	d
W x H	(W+48) x (H+48)	75, 90, 100



Standard
Material
Method of fitting
Type
Glass
Accessories

ISO, BSMA & JIS
 Steel main frame / Al-alloy, Brass glass frame
 Welded
 Non-opening
 Toughened, Heated, Double glazed, Laminated, etc.
 Window box, Insect screen, Sun screen, Roller blind, Stay hook, etc.

