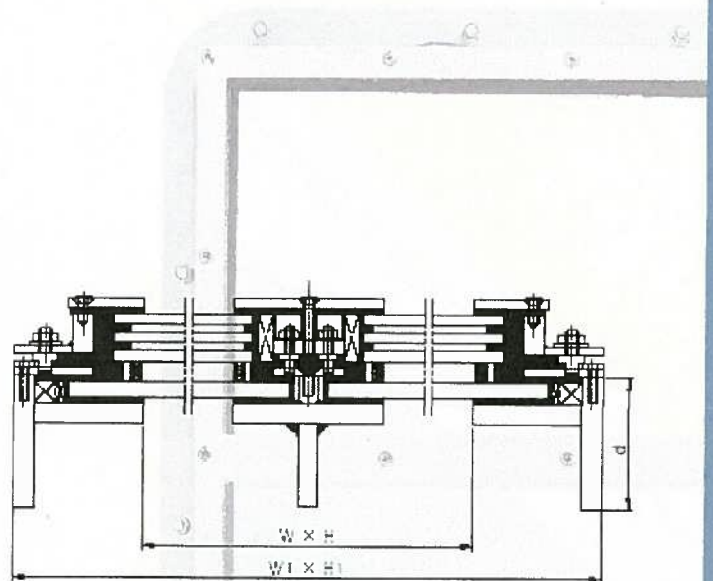
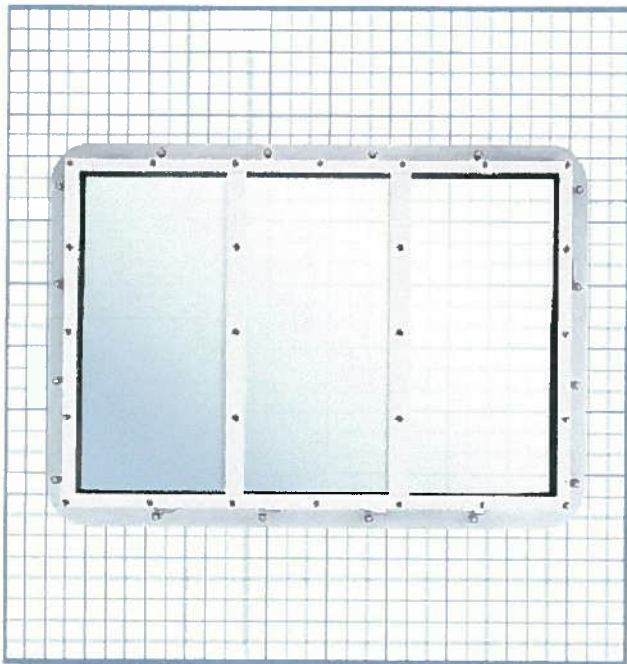


Fire Resistant Window & Side Scuttle

A-60 CLASS FIRE RESISTANT WINDOW

1

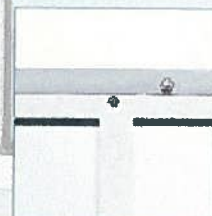
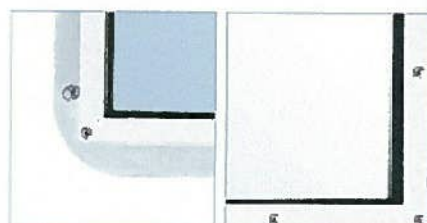
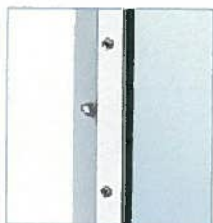
A-60 Class Fire Resistant Window With 3-Panels



UNIT: mm

DIMENSION TABLE

Nominal Size	W1 x H1	d
W x H	(W+154) x (H+154) x (74R)	75
2000 x 900 (Maximum)	1854 x 1904 x 74R	75



Standard
Accessories
Fire glass
Type approval

IMO Resolution A.754(18)
Window box
CONTRAFLAM A60/N2
DNV, LR, TC

