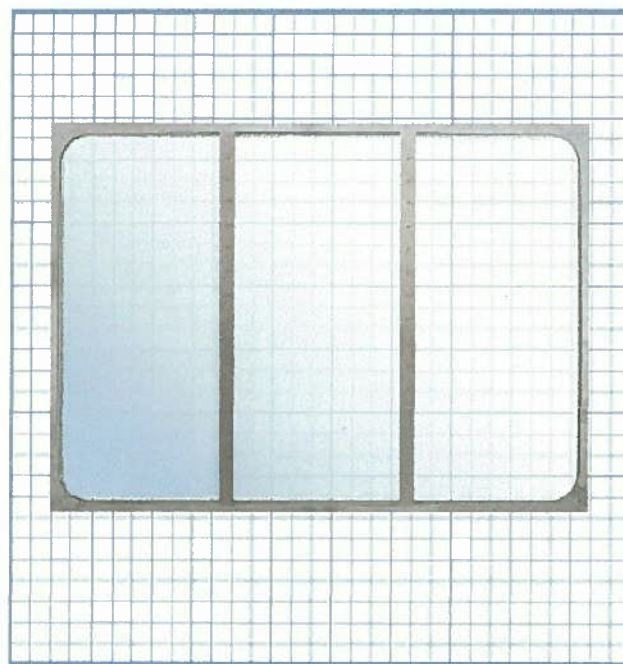
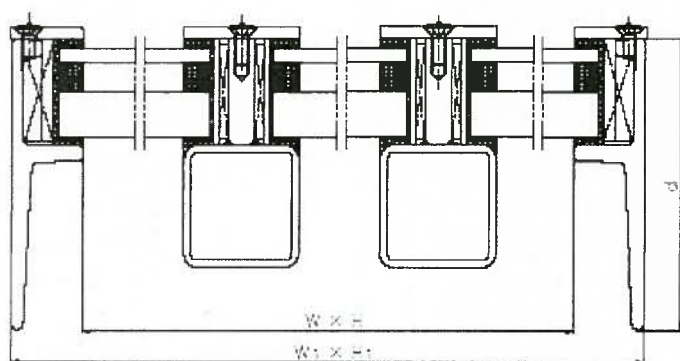


# RECTANGULAR WINDOW

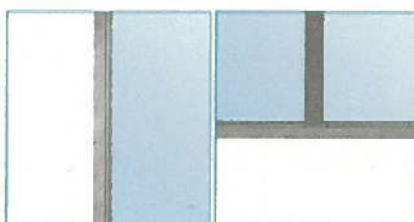
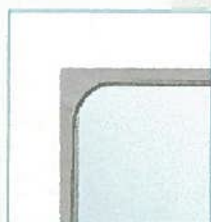
# 1

## Non-Opening Rectangular Window With 3-Panels



UNIT:mm

DIMENSION TABLE		
Nominal Size	W1 x H1	d
W x H	(W+62) x (H+62)	120



**Standard**

**Material**

**Method of fitting**

**Type**

**Glass**

**Accessories**

ISO, BSMA & JIS

Extruded steel main frame / Sus glass retaining frame

Welded

Non-opening

Toughened, Heated, Double glazed, Laminated, etc.

Roller blind, etc.

