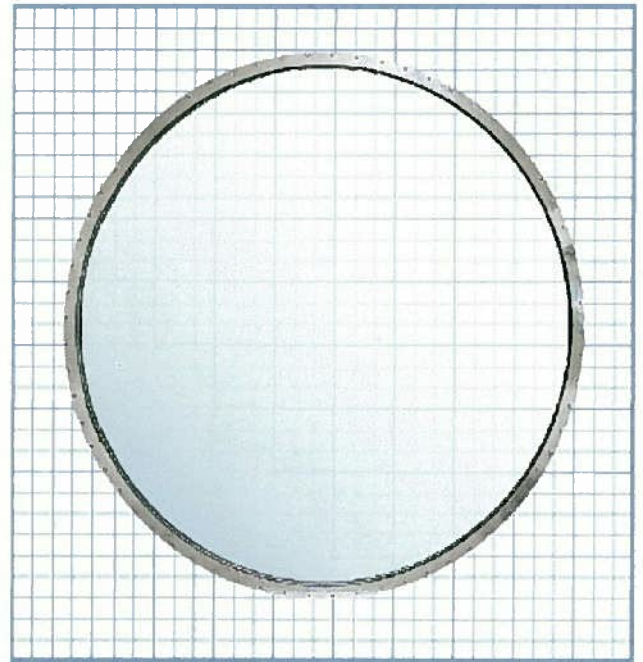
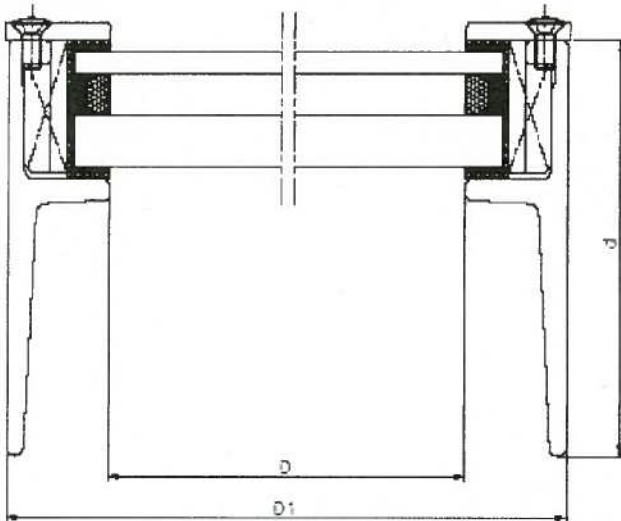


CIRCULAR WINDOW

1

Non-Opening Circular Window



DIMENSION TABLE

Nominal Size	D1	d
D	D+62	120

UNIT:mm



Standard

Material

Method of fitting

Type

Glass

Accessories

ISO, BSMA & JIS

Extruded steel main frame / Sus glass retaining frame

Welded

Non-opening

Toughened, Heated, Double glazed, Laminated, etc.

Roller blind, etc.

